

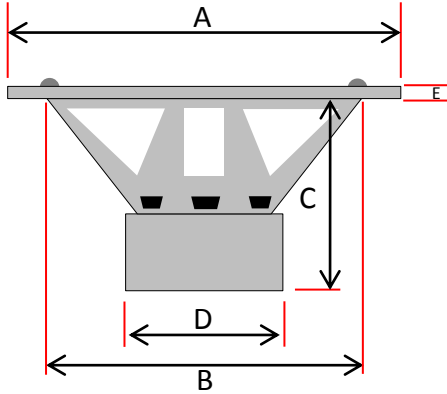


## TECHNICAL SPECIFICATIONS

Model	GZCF 7104XSPL			
Impedance	4 Ohm			
Frequency response	35Hz – 25kHz			
SPL 1W/1M	93 dB			
Power Watt RMS	200			
Power Watt Maximum	300			
Crossover	MKT capacitors / PTC Protection			
	Midwoofer	Tweeter	Midrange	Supertweeter
Cone (Dome)	Water repellent paper	PEI Softdome	Water repellent paper	PEI Softdome
Cone color	Black	Silver matt	Black	Silver matt
Surround	Foam	PEI	Water repellent paper	
Basket / Frame material	Steel	Plastic injection	Steel (ventilated)	
Basket / Frame color	Yellow	Black	Silver	
Terminal	Chrome push terminal			
Voice coil	38 mm / 1.4" copper round wire	13 mm / 0.51" copper round wire	14 mm / 0.55" copper round wire	Piezo
Voice coil former	Aluminum	Aluminum / Ferrofluid cooled	Aluminum / Ferrofluid cooled	
RE	3.5 Ohm			
SPL	91.6 dB			
FS	60.8 Hz			
QMS	4.28			
QES	0.84			
QTS	0.70			
VAS	35.6 L / 1.257cu.ft			
MMS	21.7 Gr			
BL	5.9 N/A			
RMS	1.9 kg/s			
CMS	0.32 mm/N			
LE	0.30 mH			
Linear Excursion	+ / - 3 mm / 0.118"			
X Max	10 mm / 0.39"			
Outer diameter	253 x 180 mm / 9.96" x 7.09"			
Mounting diameter	238.5 x 165 mm / 9.39" x 6.5"			
Mounting depth	86 mm / 3.39"			



TECHNICAL SPECIFICATIONS



A	253 x 180 mm / 9.96" x 7.09" 6x9" Adapter: 204 x 135 mm / 8.03" x 5.31"
B	238.5 x 165 mm / 9.39" x 6.5"
C	86 mm / 3.39"
D	125 mm / 4.92"
E	4 mm / 0.157"

FREQUENCY RESPONSE

