



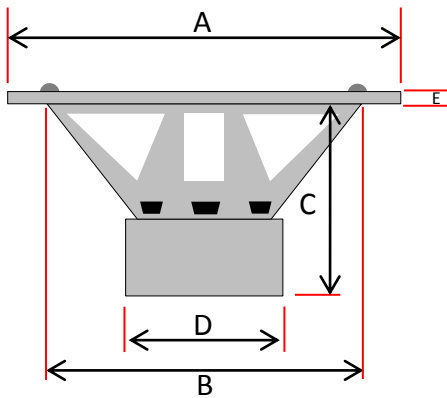
TECHNICAL SPECIFICATIONS

	GZCK 165SPL
Cone (Dome)	Fibre reinforced pressed paper cone
Cone color	Black matt
Surround	High X-Max foam W-Surround
Dustcap	Pressed paper with printed logo
Basket / Frame material	Steel
Basket / Frame color	Yellow
Terminal	Solder terminal
Magnet	1 x Ferrite 25 Oz 110 x 18 mm (4.33" x 0.71")
Voice coil	38 mm / 1.5" High temperature copper-clad aluminum round wire voice coil
Voice coil former	Kapton
RE	3.21 Ohm
SPL	93 dB
FS	59.1 Hz
QMS	10.031
QES	0.324
QTS	0.314
VAS	16.04 L / 0.566 cu.ft
MMS	12.39 Gr
BL	6.69 N/A
RMS	0.451 kg/s
CMS	0.605 mm/N
LE	0.311 mH
Linear excursion	+/- 4 mm / 0.157"
X max	8 mm / 0.31"
Frequency response	50 Hz – 4 kHz
Powerhandling	100 / 250 W
Outer diameter	167 mm / 6.57"
Mounting diameter	145 mm / 5.7"
Mounting depth	71.5 mm / 2.81"



TECHNICAL SPECIFICATIONS

- High power midwoofer
- Soft foam surround for high excursion
- Flexible Connex spider for low resonance frequency
- High grade ferrite magnet for high efficiency
- Extremely stiff, highly damped pressed paper cone for wide frequency range



A	167 mm / 6.57"
B	145 mm / 5.7"
C	71.5 mm / 2.81"
D	110 mm / 4.33"
E	4.2 mm / 0.165"

