



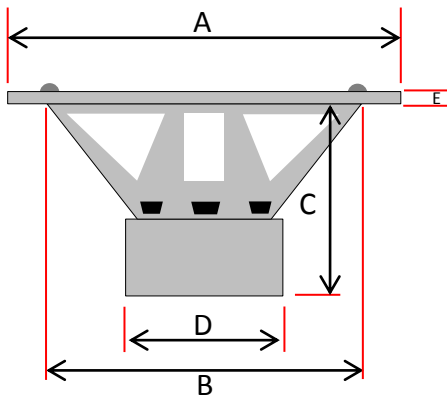
TECHNICAL SPECIFICATIONS

	GZCK 250SPL
Cone (Dome)	Fibre reinforced pressed paper cone
Cone color	Black matt
Surround	High X-Max foam W-Surround
Dustcap	Pressed paper with printed logo
Basket / Frame material	Steel
Basket / Frame color	Yellow
Terminal	Solder terminal
Magnet	1 x Ferrite 37 Oz 135 x 20 mm (5.31" x 0.79")
Voice coil	50 mm / 2" High temperature copper-clad aluminum round wire voice coil
Voice coil former	Kapton
RE	3.3 Ohm
SPL	95 dB
FS	45.4 Hz
QMS	9.19
QES	0.38
QTS	0.36
VAS	67.9 L / 2.4 cu.ft
MMS	30.4 Gr
BL	8.7 N/A
RMS	0.9 kg/s
CMS	0.40 mm/N
LE	0.38 mH
Linear excursion	+/- 6 mm / 0.236"
X max	12 mm / 0.47"
Frequency response	40 Hz – 6 kHz
Powerhandling	200 / 400 W
Outer diameter	255 mm / 10.04"
Mounting diameter	230 mm / 9"
Mounting depth	107 mm / 4.21"



TECHNICAL SPECIFICATIONS

- High power midwoofer
- Soft foam surround for high excursion
- Flexible Connex spider for low resonance frequency
- High grade ferrite magnet for high efficiency
- Extremely stiff, highly damped pressed paper cone for wide frequency range



A	255 mm / 10.04"
B	230 mm / 9"
C	107 mm / 4.21"
D	135 mm / 5.31"
E	5 mm / 0.2"

