



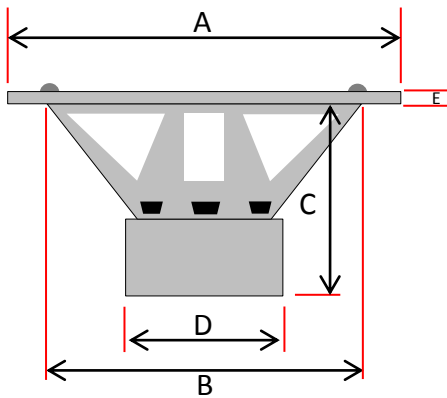
TECHNICAL SPECIFICATIONS

	GZCM 6-4FX
Cone (Dome)	Fibre reinforced paper cone
Cone color	Black matt
Surround	Coated cotton W-Surround
Dustcap	Pressed paper with printed logo
Basket / Frame material	Steel
Basket / Frame color	Black matt
Terminal	Solder terminal
Magnet	1 x Ferrite 20 Oz 115 x 13 mm (4.53" x 0.51")
Voice coil	38 mm / 1.5" High temperature copper-clad aluminum round wire voice coil
Voice coil former	Kapton
RE	3.1 Ohm
SPL	94 dB
FS	216.6 Hz
QMS	5.36
QES	1.14
QTS	0.94
VAS	1.8 L / 0.06 cu.ft
MMS	7.9 Gr
BL	5.4 N/A
RMS	2.0 kg/s
CMS	0.07 mm/N
LE	0.18 mH
Linear excursion	+/- 1.5 mm / 0.059"
X max	3 mm / 0.12"
Frequency response	200 Hz – 6 kHz
Powerhandling	100 / 300 W
Outer diameter	165 mm / 6.5"
Mounting diameter	143 mm / 5.63"
Mounting depth	52 mm / 2.05"



TECHNICAL SPECIFICATIONS

- High power midrange
- Extremely flat steel basket
- Stiff Connex spider for precise midrange performance
- High grade ferrite magnet for high efficiency
- Flat and lightweight paper cone for wide frequency range



A	165 mm / 6.5"
B	143 mm / 5.63"
C	52 mm / 2.05"
D	115 mm / 4.53"
E	4.2 mm / 0.165"

